

19 28
APRIL → MAY

Look like piece of garbage.

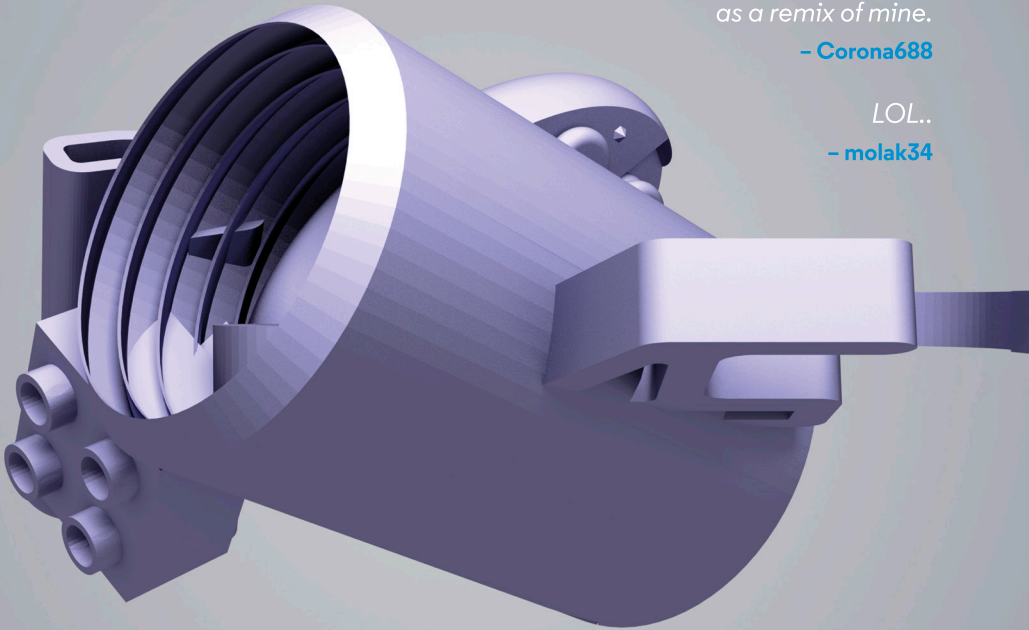
- [gamebox13](#)

*Please do not mark this object
as a remix of mine.*

- [Corona688](#)

LOL..

- [molak34](#)



Shiv Integer

THEATRE AND HIGH-TECH UCK-03FOOM

DIRECTED BY JULIEN DESWAEF AND MATTHEW PLUMMER-FERNANDEZ
CREATIVE COMMONS - ATTRIBUTION - NON-COMMERCIAL - SHARE ALIKE
WITH CONTRIBUTIONS BY UCK, TSE, ARK19, MFINN, APUCKNUT, XILX, LEX1029, CARLOFONDA AND DRLEX

iMAL
—

19 28
APRIL → MAY

EXHIBITION

WEDNESDAY → SUNDAY
13:00 - 18:00,
FREE ENTRANCE

VERNISSAGE

WEDNESDAY 19.04.2017, 18:30



#ADDITIVISM EVENTS
WITH DANIEL ROURKE

LECTURE
"THE 3D ADDITIVIST
MANIFESTO + COOKBOOK"
AT BOZAR, 24.05, 19:00

MASTERCLASS
AT iMAL, 25-26.05
(please register on imal.org)

More info:
www.imal.org

What the hell is this?
- mnturner

*The moment of joy
when you've been shivintegered!*
- unfold

*Is this a different form of spam?
Is this an AI attempting
to learn something?
If so, can you respond to inquiry?*
- ubergeekseven

*It looks like you've recently learned
how to stick things to each other.
Who's a clever boy then?*
- NZbot

*Glad to see my Universal J-Hook
is going to a good use.
Your designs send me to the floor
rolling over and laughing, Shiv!*
- Gazorpa

*Take a moment and think.
What if this is not spam?
What if someone desperately needs
an out, a way to communicate?*
- 29autumn

Why do you keep making these?
- Akura2



Vlaanderen
verbeelding werkt



brussel

In partnership with



iMAL, KOOLMIJNENKAAI, 30, QUAI DES CHARBONNAGES, B-1080 BRUSSELS